



DRY LINING HOUSING SOLUTIONS

Part E & Part L Explained



“My Kind of Merchant”

Part E & Part L Explained

MKM Building Supplies has teamed up with Lafarge Plasterboard to give you all the information you need in this easy to follow 'How 2' guide to Dry Lining Housing Solutions.

So What is Part E?

Part E of the Building Regulations is the **new legal requirements** governing the quality of acoustics in buildings where people sleep.

Part E puts the onus on the builder to demonstrate that the stated acoustic rating has been achieved and if you are looking to build semi-detached, terraced housing, apartments, hotels, hostels, residential rooms your separating walls, ceilings and floors **must adhere to the new acoustic rating.**

So What is Part L?

Part L of the Building Regulations sets down **new legal requirements** governing the heat loss, the conservation of fuel and power and reducing carbon emissions - think of it as your project's 'carbon footprint'.

Under **Part L**, the whole of the building process must be considered - not just individual elements.

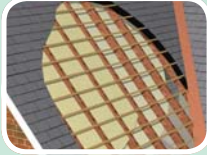


What's in a house?

Building a dwelling from scratch? Let's take a look at the drylining systems from Lafarge that you may need to look into for your project.

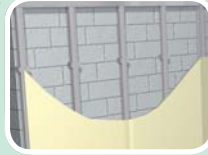
GTEC Direct to Timber Ceilings

Direct to timber is the method for attaching plasterboard to the underside of timber floor joists and roof trusses.



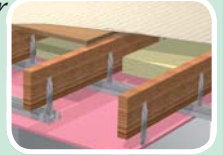
GTEC Dryliner system for Walls

Suitable for drylining both new and existing uneven masonry backgrounds and concealing services. A dry, quick and cost effective system using secure mechanical fixings.



GTEC Dryliner system for Ceilings

A quick and simple system providing levels of fire protection and sound reduction and accommodating services. Providing a flat ceiling despite uneven timber joists.



GTEC Independent Wall Lining system

Designed to be installed clear of a variety of existing backgrounds, allowing space for services and for increased levels of thermal and acoustic insulation.



GTEC Metal Stud Partition system

An economical friction-fit system to assemble frames for strong, compact, lightweight, non-load bearing partitions. Quick to erect, lightweight and clean.



GTEC Taping & Jointing

Taping & Jointing is the quick, professional, quality approach to finishing drywall systems.



GTEC Acoustic Floor system

A sound insulating floor system for solid timber joist floors. Designed as a separating floor between dwellings. Exceptional airborne and impact sound resistance.



GTEC Direct Bond system

For attaching standard plasterboard and GTEC Thermal boards directly onto masonry backgrounds. A quick and effective system to install with no mechanical fixings required.



GTEC Plasterboards

The GTEC range of Performance Boards from Lafarge are high-quality gypsum plasterboards suitable for the drylining of walls and ceilings and for the construction of dry stud partitions.



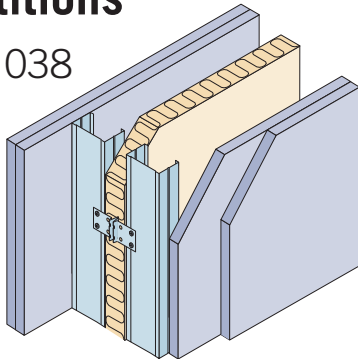
You can pick your **FREE** installation guides instore now – or call Lafarge **Literatureline** on **01275 377582**. Lafarge Technical Enquiryline provides expert advice on technical issues on all of GTEC systems and products from Lafarge. Call **Technical Enquiryline** on **01275 377789**.



SOLUTIONS FOR SEPARATING WALLS

GTEC Metal Stud Partitions

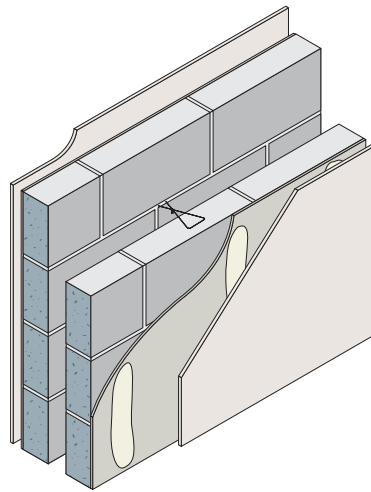
RSP 038



The wide range of Lafarge GTEC Metal Partition systems allows a repeatable, high level of performance across a broad range of applications, from apartments, cinemas and factories to hospitals, museums and schools.

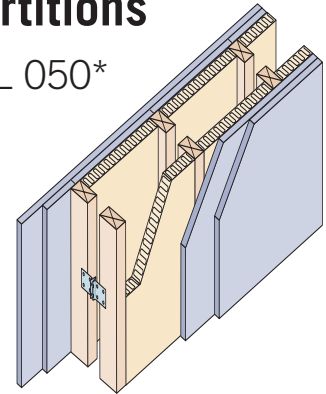
Cavity Masonry

E-WM-4



Timber Stud Partitions

RFL 050*



Frequently used in timber-frame houses and in renovation projects where they may be load-bearing depending on specification. Plasterboard can be screw-fixed directly to timber, offering superior performance.

Q What are the Part E requirements?

For **purpose built** dwelling-houses and flats, the Sound Insulation Requirements are:
 $45 D_{nT,w} + C_{tr}$ (airborne dB, min.)

Q What are the Part E requirements?

For **purpose built** dwelling-houses and flats, the Sound Insulation Requirements are:
 $45 D_{nT,w} + C_{tr}$ (airborne dB, min.)

Q What are the Part E requirements?

For **purpose built** dwelling-houses and flats, the Sound Insulation Requirements are:
 $45 D_{nT,w} + C_{tr}$ (airborne dB, min.)

A What do I need for this solution?

For this solution you will need:

Components

- GTEC C Studs
- GTEC U Track
- or GTEC Flex Track Deep Flange
- GTEC dB Board
- GTEC Flat Strap
- GTEC Insulation Hold
- GTEC Intumescent Acoustic Sealant
- GTEC Acoustic V Brace
- Glass Mineral Wool

Fixings

- GTEC Self Tapping Screws
- GTEC Wafer Head Self Tapping Screws

A What do I need for this solution?

For this solution you will need:

Components

- Lightweight aggregate blocks
- or Aircrete aggregate blocks
- GTEC 12.5mm Standard Board or GTEC E Board
- Wall Ties – ‘Type A’
- GTEC Universal Bonding Compound
- GTEC Ecoat

A What do I need for this solution?

For this solution you will need:

Components

- Timber Studs
- GTEC Fixing Channel or GTEC Acoustic V Brace
- GTEC 15mm dB Board or 15mm GTEC Fire Board
- Glass Mineral Wool
- GTEC Insulation Hold
- GTEC Intumescent Acoustic Sealant

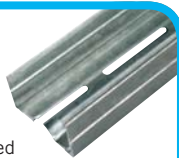
Fixings

- GTEC High Thread Screws

Performance Tip

Shhhhh...

Use GTEC Omega Acoustic Studs and you'll get up to 3 R_wdB increased acoustic insulation compared to standard GTEC Metal Studs.



Performance Tip

Which one?

You can use different Lafarge performance boards, depending on your requirements.

You can use GTEC E Board as a 10 kg/m² plasterboard – as specified in Building Regulations Approved Document E. Use GTEC Standard Board for general taping and jointing or skim plaster finishing.



* These details are deemed to satisfy E-WT-1 the Robust Detail Criteria, if the internal cavity is 240 min. wide and mineral wall is a min. 60mm x min. 10 kg/m².

Performance Tip

Tame that buzz!

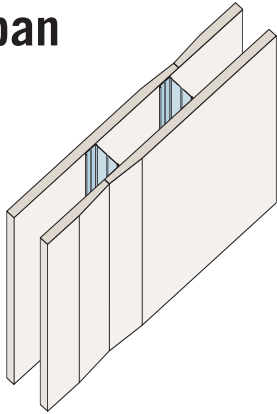
GTEC Acoustic V Braces isolate sound and vibration and strengthen twin walls and partitions – ideal for high performance partitions.



SOLUTIONS FOR INTERNAL WALLS

GTEC Acoustic Homespan

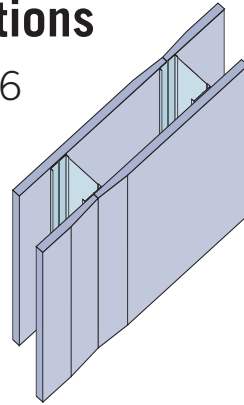
AHSP 01



The Lafarge GTEC Acoustic Homespan System provides a single solution for all modern domestic partition requirements. Sound dispersing C Studs provide better acoustic performance than timber and the system requires no cross-noggings, contributing to reduced installation time.

GTEC Metal Stud Partitions

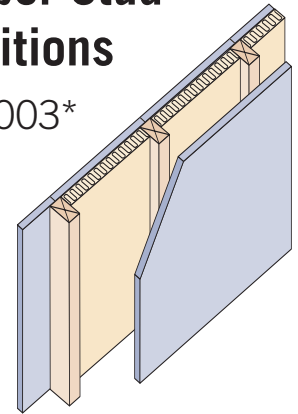
RSP 06



The wide range of GTEC Metal Stud Partition systems from Lafarge allows repeatable, guaranteed performance to be achieved across a broad range of applications.

Timber Stud Partitions

ETP 003*



Timber Stud Partitions are frequently used in timber-frame houses, in small renovation projects and in home extensions where they may be load bearing or non-load bearing, depending on specification. Plasterboard can be screw-fixed directly to timber, offering superior performance.

Q What are the Part E requirements?

Some internal partitions need to meet:
40 R_wdB

A What do I need for this solution?

For this solution you will need:

Components

- GTEC Acoustic Homespan C Studs
- GTEC Acoustic Homespan Starter Studs
- GTEC Acoustic Homespan Board
- GTEC Acoustic Homespan MR Board
- GTEC U Track
- GTEC U Track Deep Flange
- GTEC Intumescent Acoustic Sealant.

Fixings

- GTEC Self Tapping Screws

Q What are the Part E requirements?

Some internal partitions need to meet:
40 R_wdB

A What do I need for this solution?

For this solution you will need:

Components

- GTEC C Studs
- GTEC U Track
- or GTEC Flex Track Deep Flange
- GTEC dB Board
- GTEC Fixing Channel
- GTEC Flat Strap
- GTEC Intumescent Acoustic Sealant.
- Glass Mineral Wool

Fixings

- GTEC Self Tapping Screws

Q What are the Part E requirements?

Some internal partitions need to meet:
40 R_wdB

A What do I need for this solution?

For this solution you will need:

Components

- Timber Studs
- GTEC 12.5mm E Board or 12.5mm Fire Board
- 25mm Glass Mineral Wool
- GTEC Insulation Hold
- GTEC Intumescent Acoustic Sealant.

Fixings

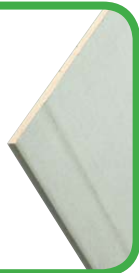
- GTEC High Thread Screws

* Use 12.5mm GTEC Fire Board if partitions are 30 minute load-bearing. This is system RTP 021

Performance Tip

High & Drywall

By using GTEC Acoustic Homespan MR Board, you'll not only get superior acoustic performance, but also superior moisture resistance – ideal for areas with high humidity.



Performance Tip

Don't be square...

GTEC Flex Track Deep Flange lets you create curved partitions. Simply use the pre-cut Flex Track in place of U Track and you can create curves with a minimum radius of 600mm.



Performance Tip

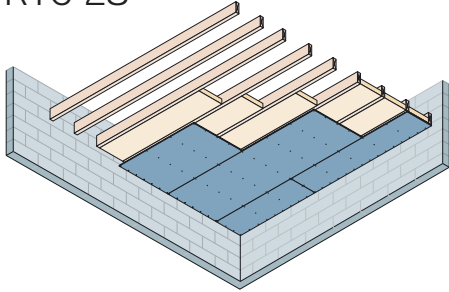
Mind the gap!

Install mineral wool with no gaps at the joints and butted up tightly at the perimeter. Otherwise sound will go through the partition, rather than being partly absorbed.

SOLUTIONS FOR INTERNAL FLOORS

GTEC Direct to Timber Ceiling

RTC 28



In new build and renovation, fixing plasterboard to timber joists provides a fast and effective means of creating ceilings. Boards can be nailed directly to timbers, although screw-fixing provides superior performance.

Q What are the Part E requirements?

Internal floors (i.e. not separating floors) are required to achieve 40 R_w dB

A What do I need for this solution?

For this solution you will need:

Components

- 22mm Tongue & Groove Chipboard . . .
- 100mm Glass Mineral Wool
- GTEC E Board

Fixings

- GTEC High Thread Screws
- GTEC Drywall Nails

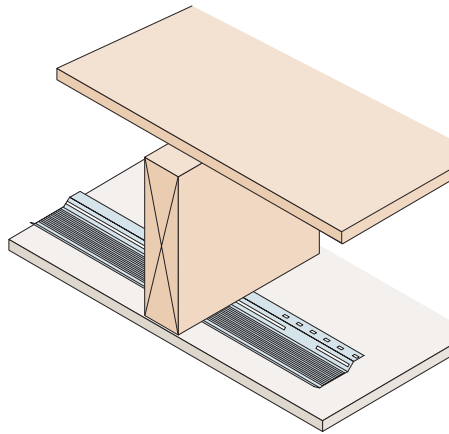
Performance Tip

Eeek - a Squeak!

Always make sure floor joists are correctly braced with noggings or the floor will be structurally weak and more prone to squeaking.

GTEC Resilient Bar Deep

RTC 61



Q What are the Part E requirements?

Internal floors (i.e. not separating floors) are required to achieve 40 R_w dB

A What do I need for this solution?

For this solution you will need:

Components

- Min. 18mm Tongue & Groove Chipboard .
- GTEC Standard Board
- GTEC Resilient Bar Deep
- GTEC Intumescent Acoustic Sealant . . .

Fixings

- GTEC High Thread Screws
- GTEC Self Tapping Screws

Performance Tip

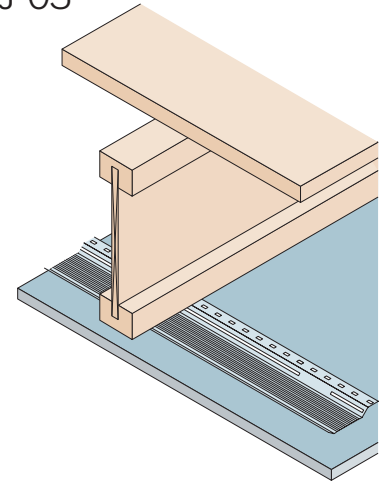
The 'Right' Angle

GTEC Resilient Bars are used in a number of systems for acoustic performance. Make sure you install them at right-angles to the joists and as close to the perimeter wall (but not touching) as possible.



GTEC Resilient Bar Deep

REJ 03



Q What are the Part E requirements?

Internal floors (i.e. not separating floors) are required to achieve 40 R_w dB

A What do I need for this solution?

For this solution you will need:

Components

- Timber Joists
- GTEC dB Board
- GTEC Resilient Bar Deep

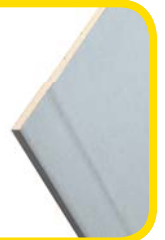
Fixings

- GTEC High Thread Screws
- GTEC Self Tapping Screws

Performance Tip

Check this out!

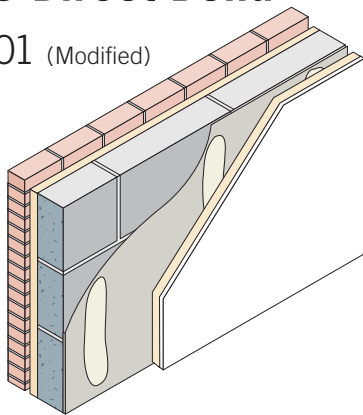
GTEC dB Board can be used for partitions, linings and ceilings. Ideal for any project where you need superior acoustic performance.



SOLUTIONS FOR EXTERNAL WALLS

GTEC Direct Bond

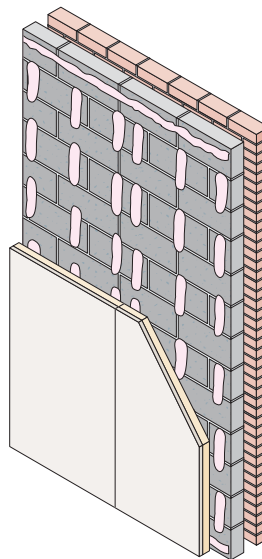
RDL 01 (Modified)



Direct bond provides a fast, efficient means of lining masonry and offers a dry solution calling for skills more readily acquired than traditional plastering. It provides a highly cost-effective means of complying with Building Regulations.

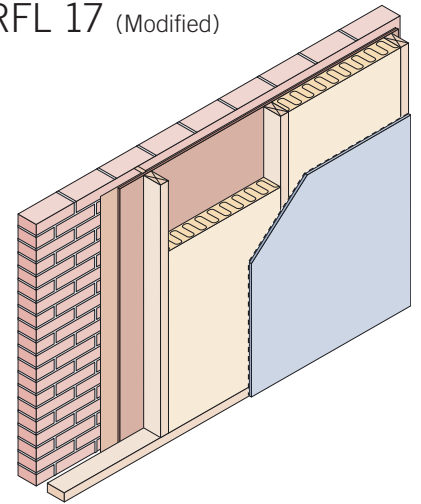
GTEC Direct Bond

RDL 02 (Modified)



GTEC Dryliner

RFL 17 (Modified)



Q What are the Part L requirements?*

Thermal insulation achieved:
RDL 01 (Modified) 0.28 W/m²K

Q What are the Part L requirements?*

Thermal insulation achieved:
RDL 02 (Modified) with 60K =
0.27 W/m²K

Q What are the Part L requirements?*

Thermal insulation achieved:
RFL 17 (Modified) as shown, with 140mm
mineral wool, 0.27 W/m²K

A What do I need for this solution?

For this solution you will need:

Components

- External Wall:
100mm Brickwork with 25mm Cavity . . .
Standard Wall Ties with insulation clips . . .
- Internal Wall:
150mm Celcon Solar Blocks
25mm Celotex Insulation
GTEC Board
GTEC 30mm Thermal K Board
GTEC Bonding Compound.
GTEC Intumescent Acoustic Sealant. . .

A What do I need for this solution?

For this solution you will need:

Components

- External Wall:
100mm Brickwork with 50mm Cavity . . .
- Internal Wall:
100mm Celcon Solar Blocks
or equivalent
Lafarge 60mm
GTEC Thermal K Board
GTEC Bonding Compound.
GTEC Intumescent Acoustic Sealant. . .

A What do I need for this solution?

For this solution you will need:

Components

- External Wall:
100mm Brickwork with 50mm Cavity . . .
- Internal Frame:
Timber Studs 140 x 38
Breather Membrane.
11mm Plywood Sheathing.
Proprietary Channel and Ties
GTEC 15mm Fire Board.
Rock Mineral Wool 140mm
GTEC Intumescent Acoustic Sealant. . .

Performance Tip

Stick around...

GTEC Universal Bonding Compound is a gypsum based adhesive for direct bonding of Lafarge plasterboards and GTEC Thermal Boards to masonry or brick backgrounds. Do not direct bond to solid external walls.



Performance Tip

Special 'K'?

The GTEC Thermal Boards range from Lafarge consists of four different boards, each bonded to a different insulation substrate. GTEC Thermal K Board is bonded to a layer of phenolic foam, to give the ultimate performance, also with a vapour control layer as standard. Now that is special!



Performance Tip

Seal of Approval

Not the easiest thing to say, but GTEC Intumescent Acoustic Sealant is such a versatile product that you'll wonder how you ever lived without it! Use it as:
an acoustic sealant...
a resilient adhesive...
a decorator's caulk...
or as an intumescent mastic.



* Performance requirements are established by SAP Calculations, looking at the overall performance of all the various elements of the building concerned 0.30 W/m²K is a typical target.

FREE LOCAL DELIVERY

GREAT PRODUCTS. GREAT SERVICE. GREAT PRICES.



For all your **BUILDING, PLUMBING, TIMBER** and **LANDSCAPING** needs

NEED HELP? We have an expert on hand to help you get exactly what you need

There's an **MKM** near you...



OPEN TO TRADE & PUBLIC - MONDAY TO SATURDAY

for your nearest branch call **08701 222 656** or visit www.mkmb.co.uk

GETTING TO KNOW MKM

WHO ARE MKM?

- The UK's 8th largest and fastest growing **Builders' Merchant** with an expanding branch network
- Employing a **local 'hand picked' team** of experts

WHAT SERVICES CAN WE PROVIDE?

- A fast, friendly, **reliable** and **efficient** counter and telephone service
- Our team are **knowledgeable** and here to help you get exactly what you need

OUR PRODUCTS

- A **one-stop-shop** for all building, plumbing, timber and landscape materials

HOW DO I START TRADING?

- Call into the branch, **meet our team** and activate an account

BUILDERS' MERCHANTS
AWARDS
FOR
EXCELLENCE